



MODEL:

CaterTap WRCT-500BL3

CATER TAP

CaterTap 1/2-inch Basin taps with 3-inch Levers

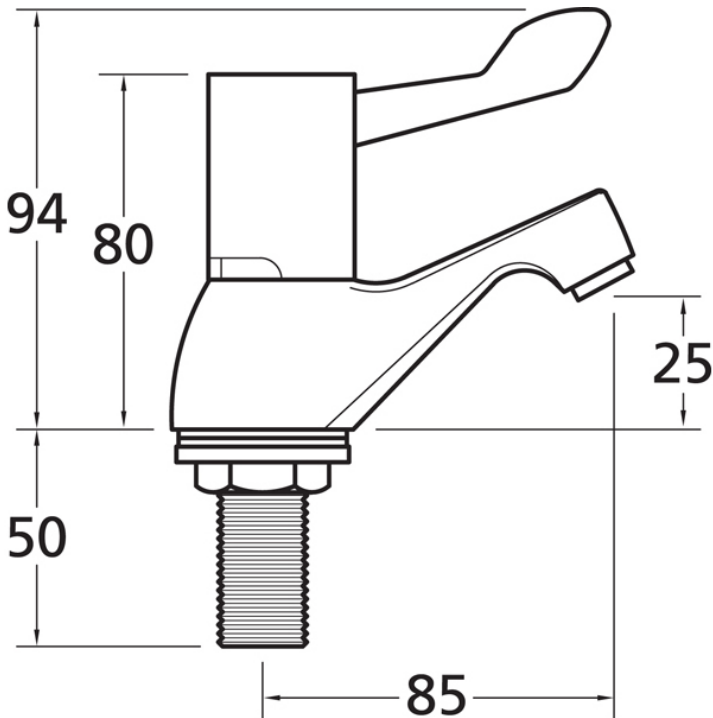
Accreditation: WRAS
Connection(s): 1/2-inch
Controls: 3-inch lever
Mount: Deck mounted
Tap Type: Basin
Water Feed: Single

FEATURES & BENEFITS

- WRAS approved.
- High-grade chrome-finished.
- Low maintenance and long lasting.
- Manufactured to British Standards.
- Robust commercial tap. Includes PosiStop protected lever and dome heads for long life and reliability for all models
- Backed by Mechline's standard 1 year warranty

TECHNICAL INFO

- Connection(s): 1/2-inch.
- Worktop hole: 25mm.
- Recommended static water pressure range: 1-5 bar.
- Flow rate: 12.50 lpm tested at 3 bar pressure



Dimensions are in millimeters. If a Cad file is required please visit www.mechline.com.



MECHLINE DEVELOPMENTS LIMITED

Tel: +44 (0)1908 261511 | Email: info@mechline.com | Web: www.mechline.com