



MODEL:

BaSix WS6-NT

BASIX



BaSix Hand Wash Station. Hands-Free operation. Includes Delabie Tempomatic 3 tap, M-MX91 manual mixer, water hose & tap hole stopper

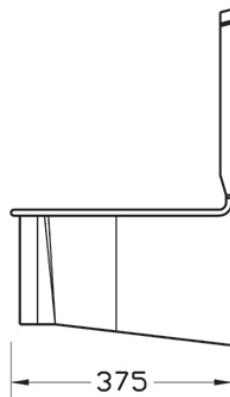
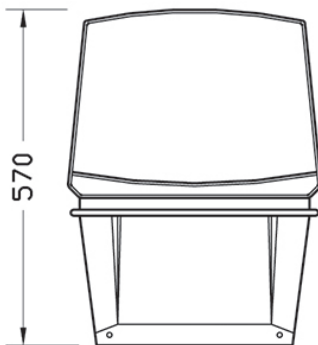
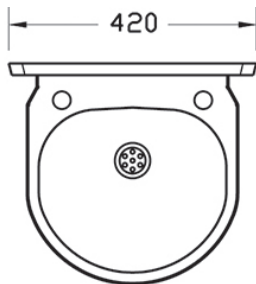
Accreditation: WRAS
Basin Range: WS6
Controls: Hands-Free
Tap Type: Tempomatic 3

FEATURES & BENEFITS

- Range of hygienic hand washing solutions.
- Helps operations meet their requirement to provide hand-washing stations on site.
- Good and safe habits are more easily followed and enforced.
- 90% water saving with a Delabie hands free tap.

TECHNICAL INFO

- Dimensions: O/D: 420 x 375 x 570 Bowl: 360 x 270 x 100 deep



Dimensions are in millimeters. If a Cad file is required please visit www.mechline.com.



MECHLINE DEVELOPMENTS LIMITED

Tel: +44 (0)1908 261511 | Email: info@mechline.com | Web: www.mechline.com