

MODEL:

BaSix WS4-NT

BASIX



BaSix Hand Wash Station. Battery-Operated, Hands-Free operation. Includes Delabie Tempomatic 3 tap, M-MX91 manual mixer, water hose & tap hole stopper

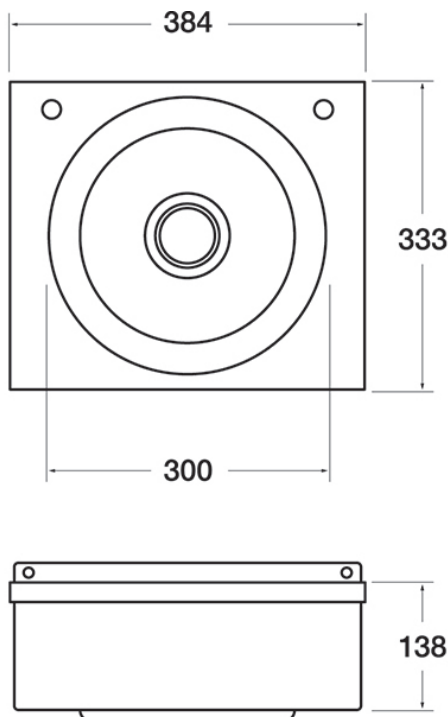
Accreditation: WRAS
Basin Range: WS4
Controls: Hands-Free
Tap Type: Tempomatic 3

FEATURES & BENEFITS

- Range of hygienic hand washing solutions.
- Helps operations meet their requirement to provide hand-washing stations on site.
- Good and safe habits are more easily followed and enforced.
- 90% water saving with a Delabie hands free tap.

TECHNICAL INFO

- Dimensions: O/D: 384 x 333 x 138 Bowl: 300 dia x 138mm deep



Dimensions are in millimeters. If a Cad file is required please visit www.mechline.com.