

MODEL:

**BaSix WS2-KVS**

# BASIX



BaSix Hand Wash Station. Knee-operated, Hands-Free operation. Includes knee-valve, swivel spout, M-MX91 manual mixer, water hose and tap hole stopper

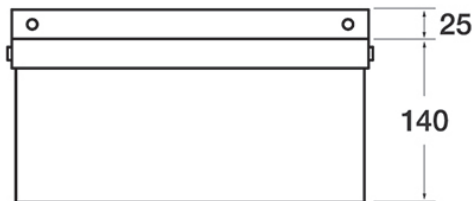
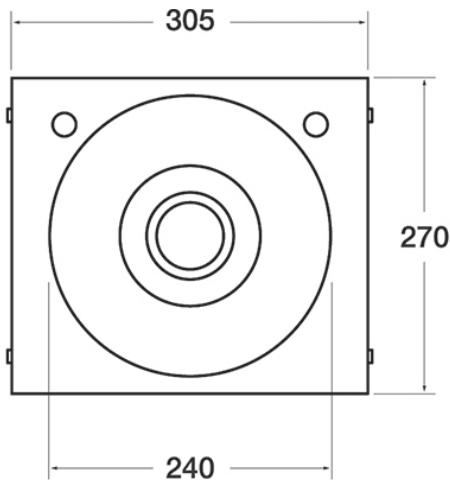
**Basin Range:** WS2  
**Controls:** Hands-Free  
**Tap Type:** Knee-operated

**FEATURES & BENEFITS**

- Range of hygienic hand washing solutions.
- Helps operations meet their requirement to provide hand-washing stations on site.
- Good and safe habits are more easily followed and enforced.

**TECHNICAL INFO**

- Dimensions: O/D: 305 x 270 x 140 Bowl: 240 x 135 deep



Dimensions are in millimeters. If a Cad file is required please visit [www.mechline.com](http://www.mechline.com).