



MODEL:

AquaJet AJPR10-SH-BF0-W

AQUAJET

AquaJet Pre-Rinse Spray. AJPR10 base / SHORT style/ No bowl filler / WATER SAVING gun

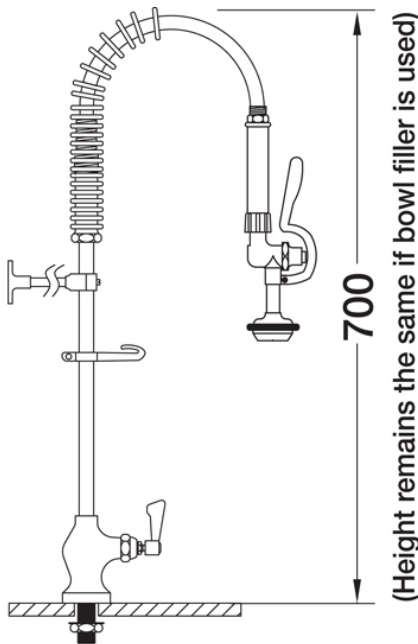
- Accreditation:** Kiwa KUKreg4 1+
- Base:** AJPR10
- Bowl Filler:** No bowl filler (BF0)
- Connection(s):** (M) 1/2-inch
- Controls:** Lever
- Model Range:** AquaJet 10
- Mount:** Deck mounted
- Pedestal:** Single
- Spray Gun:** Water Saving
- Style:** Short
- Water Feed:** Single Monobloc

FEATURES & BENEFITS

- A variety of choices to suit each application.
- Pre-assembled, ready to install - saves time on site.
- All assembled models are factory tested up to 6 bar for quality assurance.
- Choice of optional bowl fillers, water dispensing guns and accessories.
- Restraining device available to prevent hose from overstretching into basin, which reduces abuse and helps meet Water Board regulations.
- Super strong, food-grade, high-flow water hose.

TECHNICAL INFO

- Connection: (M) 1/2-inch
- Tap hole req: 25mm
- Flow rates: 4.23 lpm tested at 3 bar pressure
- Certified to KUK Reg4 1+ by Kiwa



(M) 1/2-inch connection
Tap hole req.: 25mm dia.

Dimensions are in millimeters. If a Cad file is required please visit www.mechline.com.



MECHLINE DEVELOPMENTS LIMITED

Tel: +44 (0)1908 261511 | Email: info@mechline.com | Web: www.mechline.com