



MODEL:

AquaJet AJ-B-106L

# AQUAJET



AquaJet Sink Tap with Lever control and 150mm Swivel Spout

- Accreditation:** Kiwa KUKreg4 1+
- Base:** AJ-B-10
- Connection(s):** ½-inch
- Controls:** Lever
- Model Range:** AquaJet 10
- Mount:** Deck mounted
- Pedestal:** Single Hole
- Spout:** 150mm swivel
- Tap Type:** Monobloc
- Water Feed:** Single Monobloc

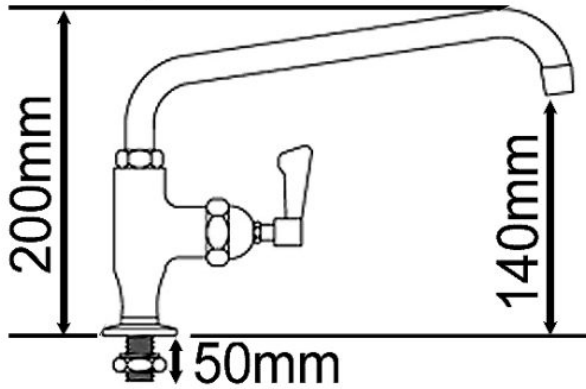
### FEATURES & BENEFITS

- Comprehensive range of taps manufactured to meet the rigours of commercial catering.
- High quality, robust construction specifically designed for commercial kitchens.
- Easy lever operation.
- Selection of spouts to suit most applications.
- Spare parts available.

### TECHNICAL INFO

- Connection(s): ½-inch
- Worktop hole: 25mm
- Recommended working pressure: 1.5 - 5 bar
- Flow rates: 5.38 lpm tested at 3 bar pressure
- Certified to KUK Reg4 1+ by Kiwa

150, 300 OR 400mm spout



Dimensions are in millimeters. If a Cad file is required please visit [www.mechline.com](http://www.mechline.com).



MECHLINE DEVELOPMENTS LIMITED

Tel: +44 (0)1908 261511 | Email: [info@mechline.com](mailto:info@mechline.com) | Web: [www.mechline.com](http://www.mechline.com)